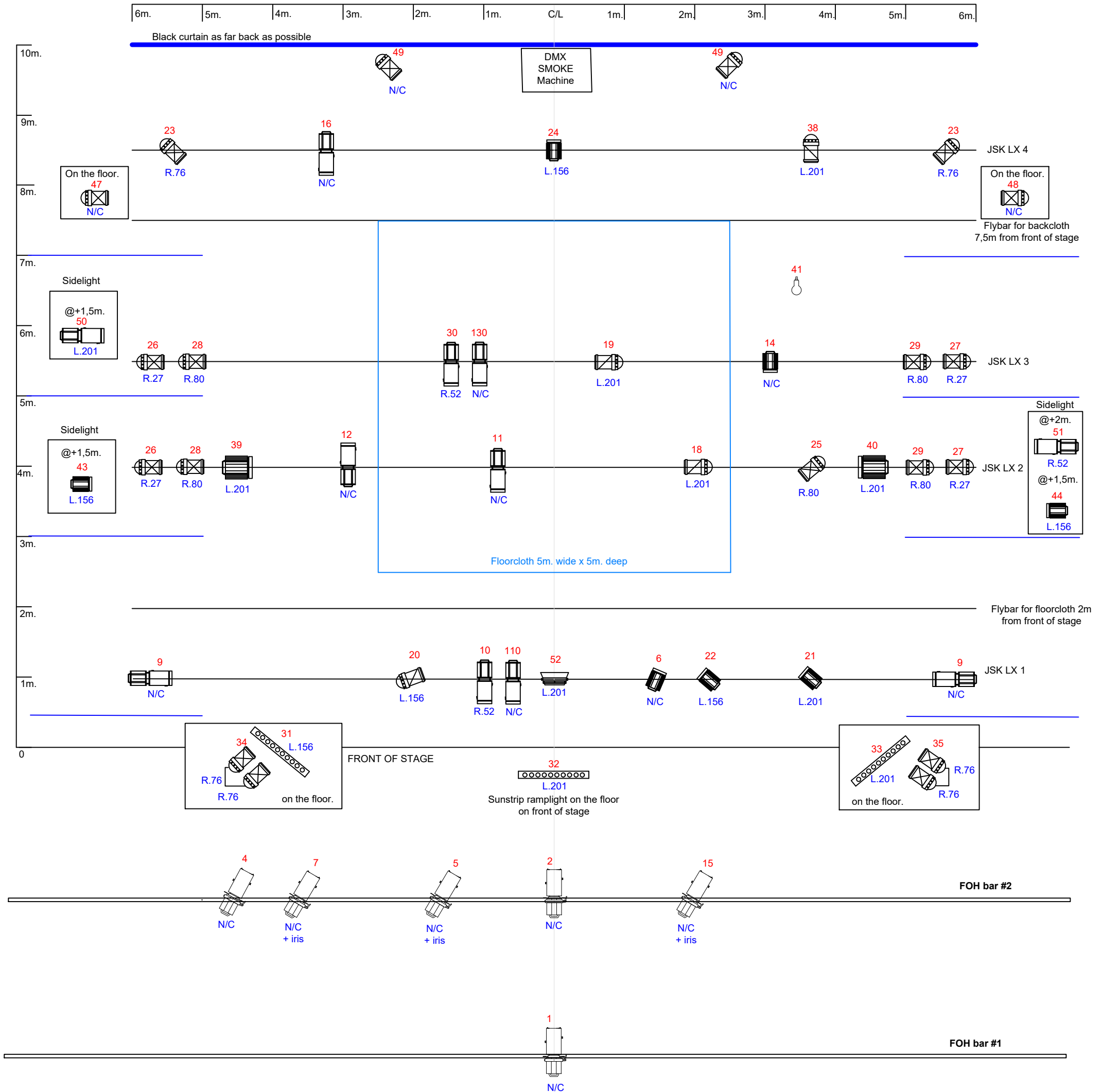



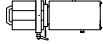
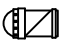


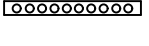


# Jo Strømgren Kompani "the Breakdown" Lighting Plan



## Lighting equipment needed:

-  2kw. Fresnel x 2
-  1kw. Fresnel x 7
-  CP62 Parcan x 19
-  1kw narrow zoom Profile (eg RJ 611) x 6
-  CP61 Parcan x 4
-  1kw medium zoom Profile (eg RJ 614) x 11
-  1kw. Floodlight x 1
-  Sunstrip striplights on the floor x 3 (not LED)

IMPORTANT: We need a DMX controlled smoke machine on the floor at centre back

3 x lighting towers or stands. Lamps at around 1,5 and 2m height.

8 x Floorstands for Parcans, or these can be floorcans.

3 x iris for Profiles FOH.

Lighting design by:  
Stephen Rolfe  
+47 901 68 766  
stephenro@mailbox.org